

***AStx649 / AStxe649***



## ***Hacksaw***



### ***SERVICE***

***Tool service and maintenance must be performed only by qualified repair personnel.***

***When servicing a tool, only use identical replacement parts available from FEIN.***

Repairs on FEIN Power Tools required the use of special tools (pulling devices and bearing press). Authorized repair centers have trained repair technicians and equipment necessary to perform these repairs. Service or repairs performed by unqualified persons could result in operator injury.

For the location of the repair center near you, please call 1-800-441-9878. Monday thru Friday, 9AM to 5PM EST. Or, look on our web site at [www.feinus.com](http://www.feinus.com) and follow the link to "Authorized Warranty Repair Centers"

**FEIN Power Tools  
1030 Alcon Street  
Pittsburgh, PA 15220**

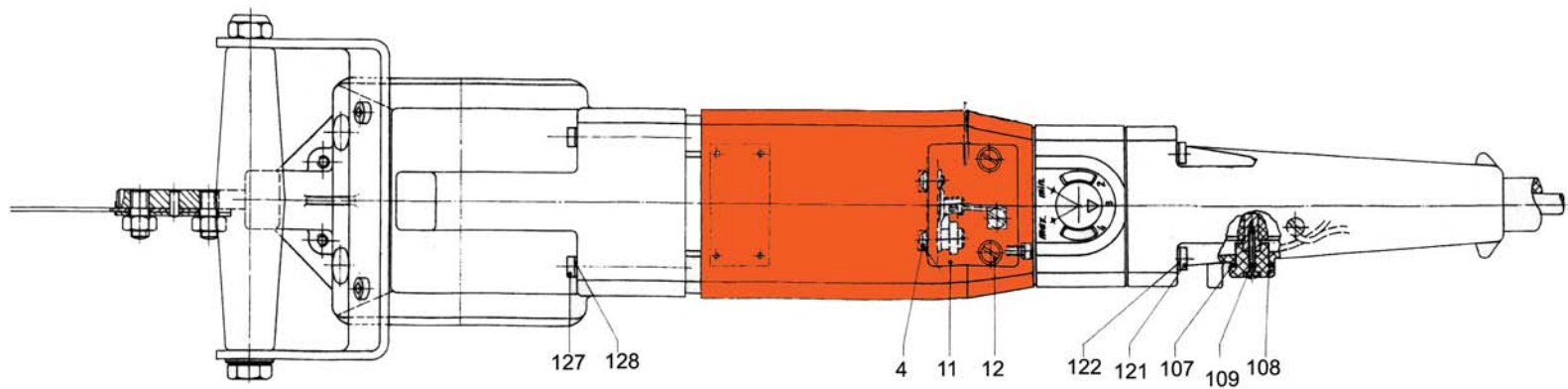
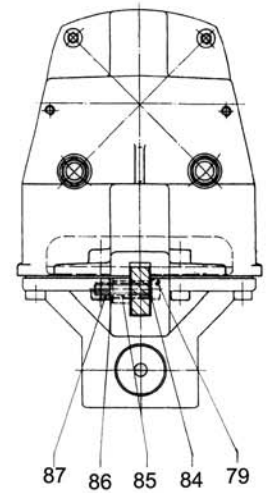
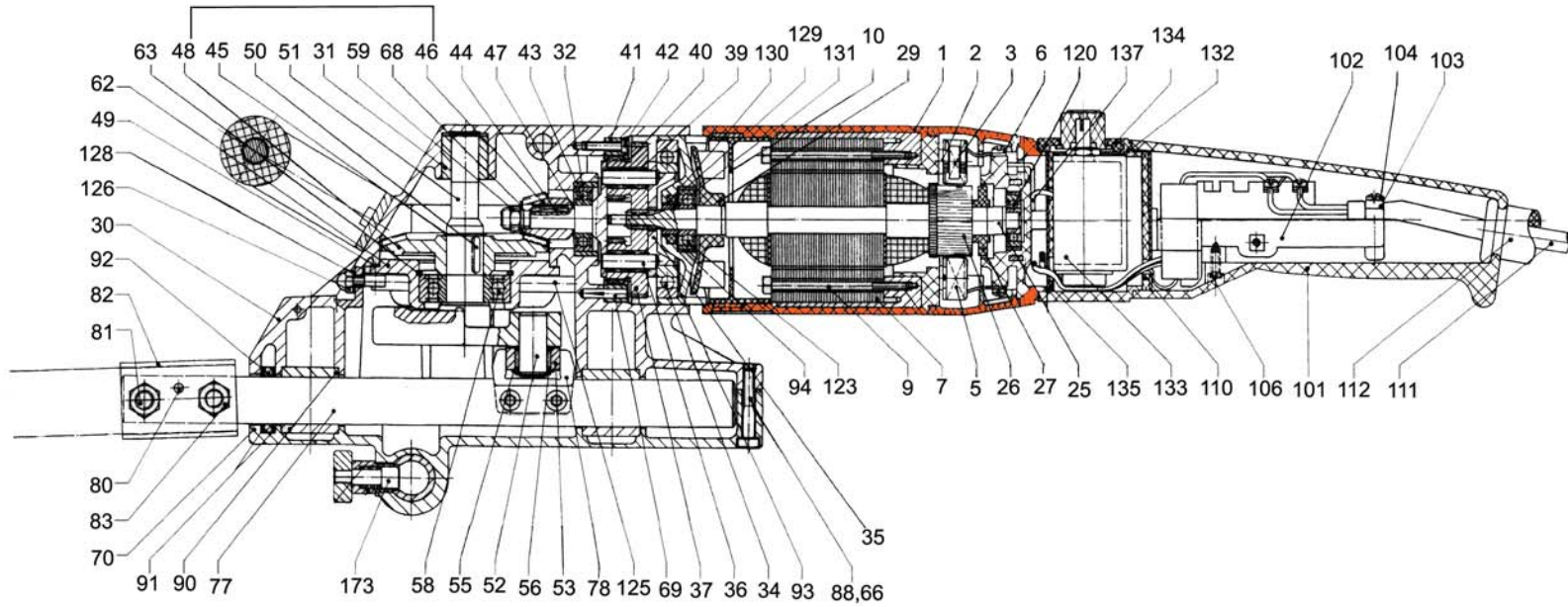
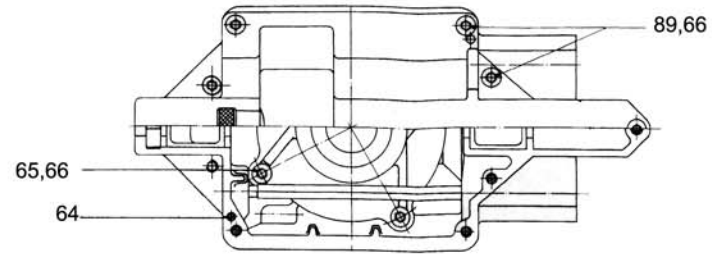
Phone: 412-922-8886 Fax: 412-922-8767 Toll Free: 1-800-441-9878

November 24, 2003



# Hacksaw

Model: AStx 649 / AStxe 649



**FEIN Power Tools**

**Astx 649 / Astxe 649 Parts List**

<u>Item</u>	<u>Item Number</u>	<u>Description</u>	<u>Reqd</u>	
1	3-19-03-099-00-6	MOTOR HOUSING	1	_____
2,3	3-07-12-067-01-7	BRUSH HOLDER	2	_____
4	4-30-41-001-99-4	SCREW	4	_____
5	3-07-11-067-00-4	CARBON BRUSH	2	_____
6	4-30-03-029-04-8	SCREW	2	_____
7	5-1-215-004-11-2	FIELD COIL (ASTX 649)	1	_____
7	5-1-215-001-11-7	FIELD COIL (ASTXE 649)	1	_____
9	4-30-01-004-04-2	SCREW	2	_____
10	3-14-28-010-00-5	AIR RING	1	_____
11	3-24-27-069-00-6	COVER	2	_____
12	4-30-46-001-00-2	SCREW	4	_____
25-29	5-3-215-007-11-5	ARMATURE 110V	1	_____
30-32	3-12-09-013-00-2	GEAR HOUSING	1	_____
34	4-17-01-607-01-2	BALL BEARING	1	_____
35	3-01-10-022-00-2	DRIVE HEAD	1	_____
36	3-02-16-098-00-2	BOLT	2	_____
37	3-38-11-030-00-2	GEAR WHEEL (17/30 T)	2	_____
39	4-17-15-017-00-8	NEEDLE CAGE	2	_____
40	4-17-15-013-00-9	NEEDLE CAGE	2	_____
41	3-38-04-015-00-5	GEARED RIM	1	_____
42	4-30-02-108-99-7	SCREW	2	_____
43	4-17-01-010-03-2	BALL BEARING	1	_____
44	4-02-21-008-00-3	FITTING KEY	1	_____
45	4-26-41-001-00-2	RING	1	_____
46,48	3-38-09-142-01-9	BEVEL GEAR (11/39 T)	1	_____
47a	3-26-24-087-02-8	WASHER (.1mm)		_____
47b	3-26-24-087-03-4	WASHER(.3mm)		_____
49a	3-26-24-086-02-4	WASHER (.1mm)		_____
49b	3-26-24-086-03-0	WASHER (.3mm)		_____
50	4-02-21-017-00-4	FITTING KEY	1	_____
51-56	3-34-05-022-02-8	CRANKSHAFT ASSEMBLY	1	_____
52	3-02-17-200-00-4	BOLT	1	_____
53	4-17-24-001-00-5	SUPPORTING SHEAVE	1	_____
55	3-24-08-212-00-6	DISC	1	_____
56	4-26-16-006-00-7	SECURING RING	1	_____
58	4-17-01-222-03-8	BALL BEARING	1	_____
59	4-20-19-006-08-0	NUT	1	_____
62	3-24-19-063-00-0	BEARING PLATE	1	_____
63	4-26-16-003-00-2	SECURING RING	1	_____
64	4-02-47-006-00-2	GROOVED PIN	2	_____
65	4-30-35-073-05-2	SCREW	4	_____
66	4-24-43-004-05-7	SECURING DISC	13	_____
68	3-24-08-232-00-4	DISC	1	_____
69	4-02-47-007-00-6	GROOVED PIN	2	_____
70	3-24-29-068-01-9	COVER	1	_____
77-87	3-27-14-057-01-1	CONNECTING ROD ASSEMBLY	1	_____

77,80,81	3-27-14-057-00-2	CONNECTING ROD	1	_____
78	3-27-14-059-00-4	SLIDING PIECE	1	_____
79	4-30-35-080-06-8	SCREW	2	_____
80	4-02-01-036-00-6	CYLINDRICAL PIN	1	_____
81	4-30-07-038-08-8	GRUB SCREW	2	_____
82	3-27-14-011-00-0	COMPRESSION PLATE	1	_____
83	4-20-01-009-08-0	NUT	2	_____
84	4-24-01-018-06-9	DISC	4	_____
85	4-02-38-041-00-5	CLAMPING SLEEVE	2	_____
86	4-24-45-003-06-0	LOCK WASHER	2	_____
87	4-20-01-029-06-6	NUT	2	_____
88	4-30-33-015-05-2	SCREW	1	_____
89	4-30-35-073-05-2	SCREW	8	_____
90	3-16-04-008-00-1	FRICTION BEARING	4	_____
91	3-27-14-058-00-0	WIPER	2	_____
92	3-06-04-042-00-7	FELT SEAL	1	_____
93,94	3-15-06-209-00-7	INTERMEDIATE BEARING	1	_____
101	3-12-04-067-00-1	HANDLE	1	_____
102	3-07-01-061-00-9	SWITCH	1	_____
103	3-24-31-021-00-7	CABLE CLAMP	1	_____
104	4-30-41-024-99-7	SCREW	2	_____
106	4-30-64-014-99-7	SCREW	1	_____
107	3-06-01-052-00-4	FELT RING	1	_____
108	3-28-05-047-00-4	SWITCH LEVER	1	_____
109	4-30-02-117-03-9	SCREW	1	_____
110	3-06-05-041-00-5	SEALING PLATE (ASTX 649)	1	_____
110	3-06-05-042-00-8	SEALING PLATE (ASTXE 649)	1	_____
111	3-07-05-035-01-3	CORD	1	_____
112	3-14-13-094-00-7	CABLE PROTECTING SLEEVE	1	_____
120	4-17-01-204-13-1	BALL BEARING	1	_____
121	4-30-35-019-05-9	SCREW (ASTX 649)	4	_____
121a	4-30-02-106-05-8	SCREW (ASTXE 649)	4	_____
122	4-24-43-004-05-7	SECURING PLATE	4	_____
123	4-17-01-207-03-3	BALL BEARING	1	_____
125	3-30-23-059-00-3	BOLT	2	_____
126	4-20-19-005-05-2	NUT	2	_____
127	4-30-35-025-05-9	SCREW	2	_____
128	4-24-43-004-05-7	SECURING DISC	4	_____
129	3-24-11-069-00-4	COVER PLATE	1	_____
130	3-06-01-082-00-1	FELT RING	1	_____
131	3-26-12-077-00-3	SEALING RING	1	_____
132	3-12-07-078-00-5	SPEED CONTROL HOUSING (ASTXE)	1	_____
133	3-07-62-025-02-2	SPEED CONTROL	1	_____
134	3-24-14-046-00-2	INSERT	1	_____
135	3-06-05-058-00-8	SEALING PLATE	1	_____
137	3-14-13-138-00-1	INSULATING TUBE	1	_____
173	3-34-12-015-01-9	LOCKING DEVICE ASSEMBLY	1	_____
ACCESSORY	3-21-19-044-01-2	HANDLE ASSEMBLY		_____
ACCESSORY	3-21-19-044-00-3	HANDLE		_____
ACCESSORY	3-32-11-022-00-1	BOW		_____
ACCESSORY	4-24-01-005-10-8	DISC		_____
ACCESSORY	4-30-01-059-10-2	SCREW		_____
ACCESSORY	4-20-19-007-10-5	NUT		_____
ACCESSORY	4-30-35-014-05-6	SCREW		_____